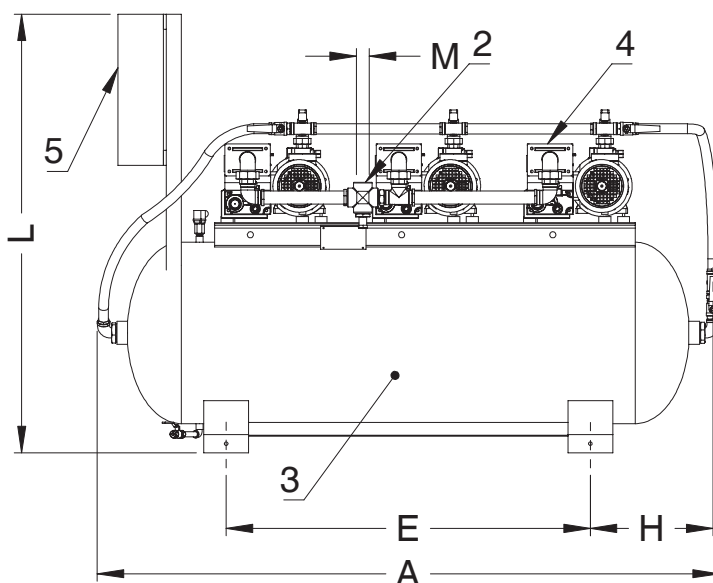
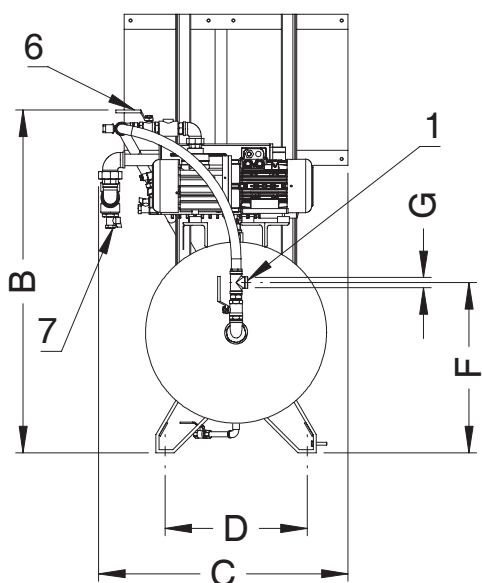


GPx3 O



- 1 Aspirazione
- 2 Scarico
- 3 Serbatoio
- 4 Pompa
- 5 Quadro elettrico
- 6 Valvola
- 7 Drenaggio

- 1 Suction
- 2 Discharge
- 3 Tank
- 4 Pump
- 5 Electrical panel
- 6 Valve
- 7 Drain valve

			Modello/Model									
			GP 11x3	GP 15x3	GP 21x3	GP 25x3	GP 45Ex3	GP 65Ex3	GP 100Ex3	GP 160x3	GP 210Kx3	GP 300Ex3
Portata nominale	Displacement	m ³ /h	33	45	63	75	135	195	300	480	600	900
Capacità serbatoio	Tank capacity	lt	300	300	300	300	500	500	1000	1000	1000	1000
Potenza motore	Motor power	kW	0,55	0,55	0,75	0,75	1,1	1,5	2,2	4	4	7,5
Vuoto finale	Ultimate vacuum	mbar	10	10	10	10	10	10	10	10	10	10
Rumorosità media	Noise level	db (A)	60	60	63	63	65	65	70	70	73	77
Peso	Weight	kg	160	160	160	160	240	260	420	500	570	800
Attacco aspirazione	Inlet connection		½" GAS	½" GAS	½" GAS	½" GAS	1" GAS	1" GAS	1" GAS	2" GAS	2" GAS	2" GAS
Attacco scarico	Outlet connection		1" GAS	1" GAS	1" GAS	1" GAS	1 ¼" GAS	1 ¼" GAS	1 ½" GAS	2" GAS	2" GAS	2" GAS
Filtro battericida	Antibacteria filter	FFMVE	30				150			350		

Dimensioni (mm) Dimensions (mm)	A	1540	2060	2360	2400	2400	2400
	B	915	1135	1375	1500	1500	1540
	C	740	825	930	1075	1075	1200
	D	450	470	545	545	545	545
	E	895	1204	1014	1014	1014	1014
	F	455	565	665	765	765	765
	G	½" GAS	1" GAS	1" GAS	2" GAS	2" GAS	2" GAS
	H	315	405	650	655	655	655
	L	1300	1450	1500	1590	1590	1590
	M	1" GAS	1 ¼" GAS	1½" GAS	2" GAS	2" GAS	2" GAS